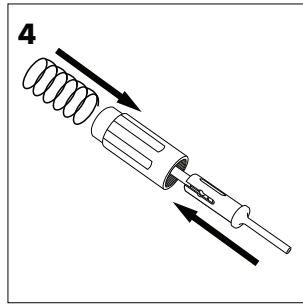
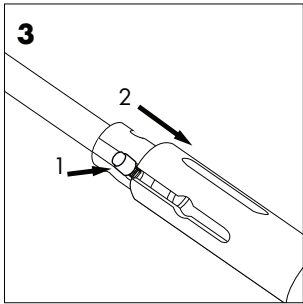


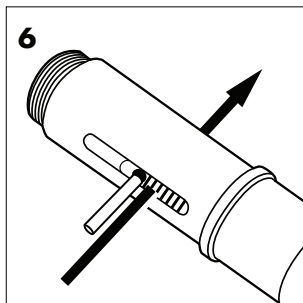
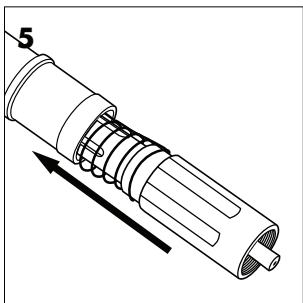
Assemble Firing Pin (NTS101-4) into Firing Pin Holder using the 1/8" Roll Pin (NTS101-8).

Insert Trigger Ball Spring (NTS101-5) into Trigger Ball (NTS101-7) and place into the Holder.



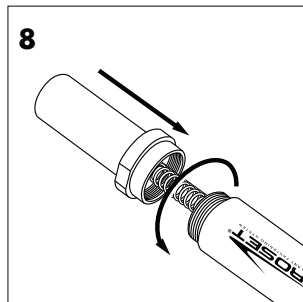
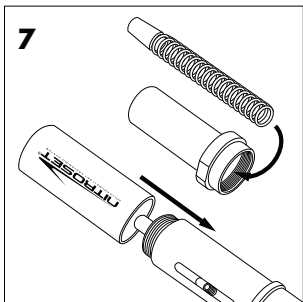
Slide complete Firing Assembly into the Guide while depressing the Trigger Ball until it clicks into the Guide.

Insert Guide and Holder through the Reset Sleeve. Attach Reset Spring (NTS5X-11) to Reset Sleeve.



Insert Reset Sleeve into the Trigger Body. Make sure the trigger key on the body aligns properly with the Trigger Ball.

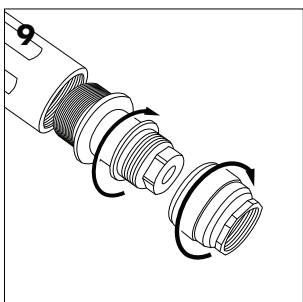
Insert Main Assembly Pin (NTS5X-12). Ensure coils of the Reset Sleeve are all above the pin.



Slide Outer Cover Sleeve over the Trigger Body.

Insert the Firing Spring (NTS101-9) with the Buffer attached over the Holder.

Attach the End Cap of the tool.



Secure the Debris Cup to the Nosepiece.

Slide appropriate Spacer onto the Nosepiece.

Secure the complete Nosepiece Assembly onto the Reset Sleeve.